



JB 200 PUMP

Applications:

- Cutting, turning, milling, boring, grinding and similar applications of the machine tools,
- Filtration systems,
- Treatment systems,
- Cooling systems,
- Circulation systems. JB Pumps are used for pumping of cutting / cooling fluids.

Fluid Specifications:

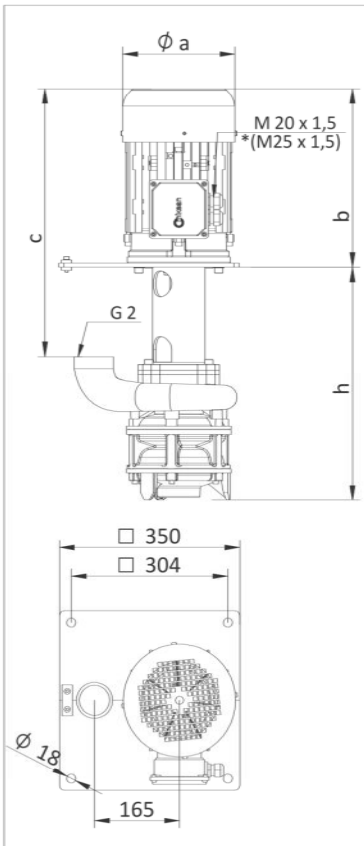
- Coolants,
- Cutting oils,
- Grinding oils,
- Water,
- Chip contains liquids (max. 10mm)
- Fluid temperature 0...80 °C
- Kinematic viscosity 1...90 mm²/s

Materials:

Pump body	: Cast iron - DIN GG 25
Volute	: Cast iron - DIN GG 25
Diffusor	: Cast iron - DIN GG 25
Suction Cover	: Cast iron - DIN GG 25
Impeller	: Investment casting steel - AISI 4140 (DIN 42CrMo4)
Pump shaft	: Engineering steel - AISI 1040 (DIN C35)
Electric motor	: 3 phase induction motor IE3 - 2 pole Protection degree IP 55

* JB 200 pumps can be optionally equipped with an axial impeller.

** Please contact us for different immersion depth.

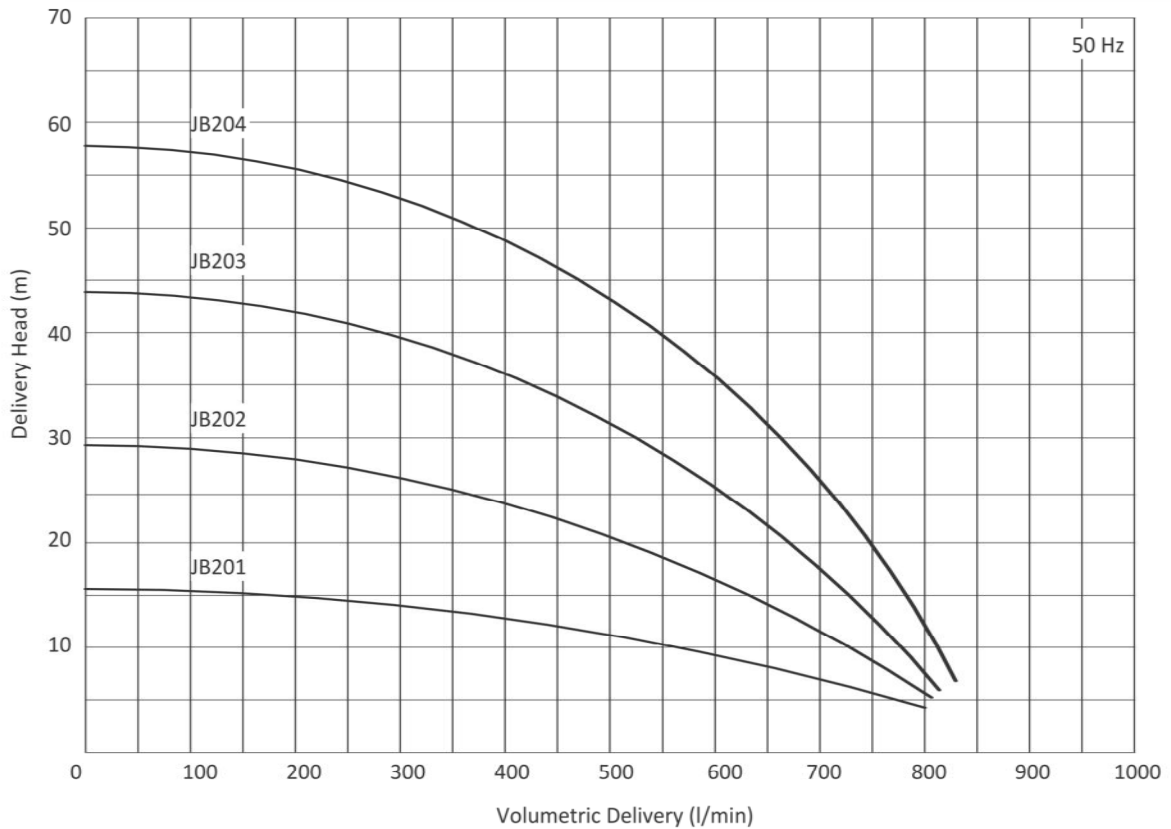


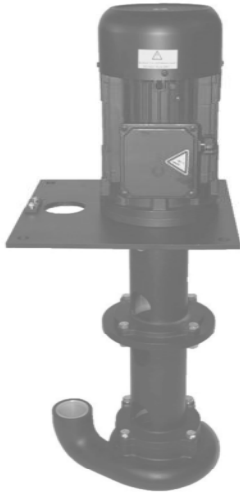
DIMENSIONS & NOMINAL VALUES

TYPE	Depth of Immersion h (mm)	a	b	c	Weight kg	Power kW	Voltage V(Δ/Y)	Frequency Hz	Rated current A	Speed rpm
		mm								
JB 201/300	300	176	274	446	40.5	1.5	230/400	50	5.72/3.3	2910
JB 201/520	520			666	47.0					
JB 201/740	740			886	53.5					
JB 202/375	375	194	338	510	55.5	3.0	230/400	50	10.39/6.0	2905
JB 202/595	595			730	62.0					
JB 202/815	815			950	68.5					
JB 203/450	450	218	347	519	69.5	5.5	230/400	50	17.15/9.9	2900
JB 203/670	670			739	76.0					
JB 204/525	525	258	438	610	100.0	7.5	400Δ	50	14.0	2930
JB 204/745	745			830	106.5					

* The performance curves are based on 1 mm²/s (cSt) kinematic viscosity values and 997 kg/m³ density
 ** Curve tolerance according to ISO 9906:2012 Grade 3B.

Performance Curve





JB 350 PUMP

Applications:

- Cutting, turning, milling, boring, grinding and similar applications of the machine tools,
- Filtration systems,
- Treatment systems,
- Cooling systems,
- Circulation systems. JB Pumps are used for pumping of cutting / cooling fluids.

Fluid Specifications:

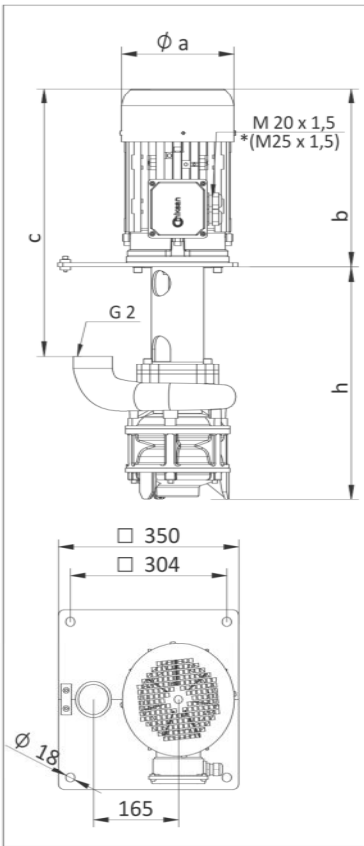
- Coolants,
- Cutting oils,
- Grinding oils,
- Water,
- Chip contains liquids (max. 10mm)
- Fluid temperature 0...80 °C
- Kinematic viscosity 1...90 mm²/s

Materials:

Pump body	: Cast iron - DIN GG 25
Volute	: Cast iron - DIN GG 25
Diffusor	: Cast iron - DIN GG 25
Suction Cover	: Cast iron - DIN GG 25
Impeller	: Investment casting steel - AISI 4140 (DIN 42CrMo4)
Pump shaft	: Engineering steel - AISI 1040 (DIN C35)
Electric motor	: 3 phase induction motor IE3 - 2 pole Protection degree IP 55

* JB 350 pumps can be optionally equipped with an axial impeller.

** Please contact us for different immersion depth.

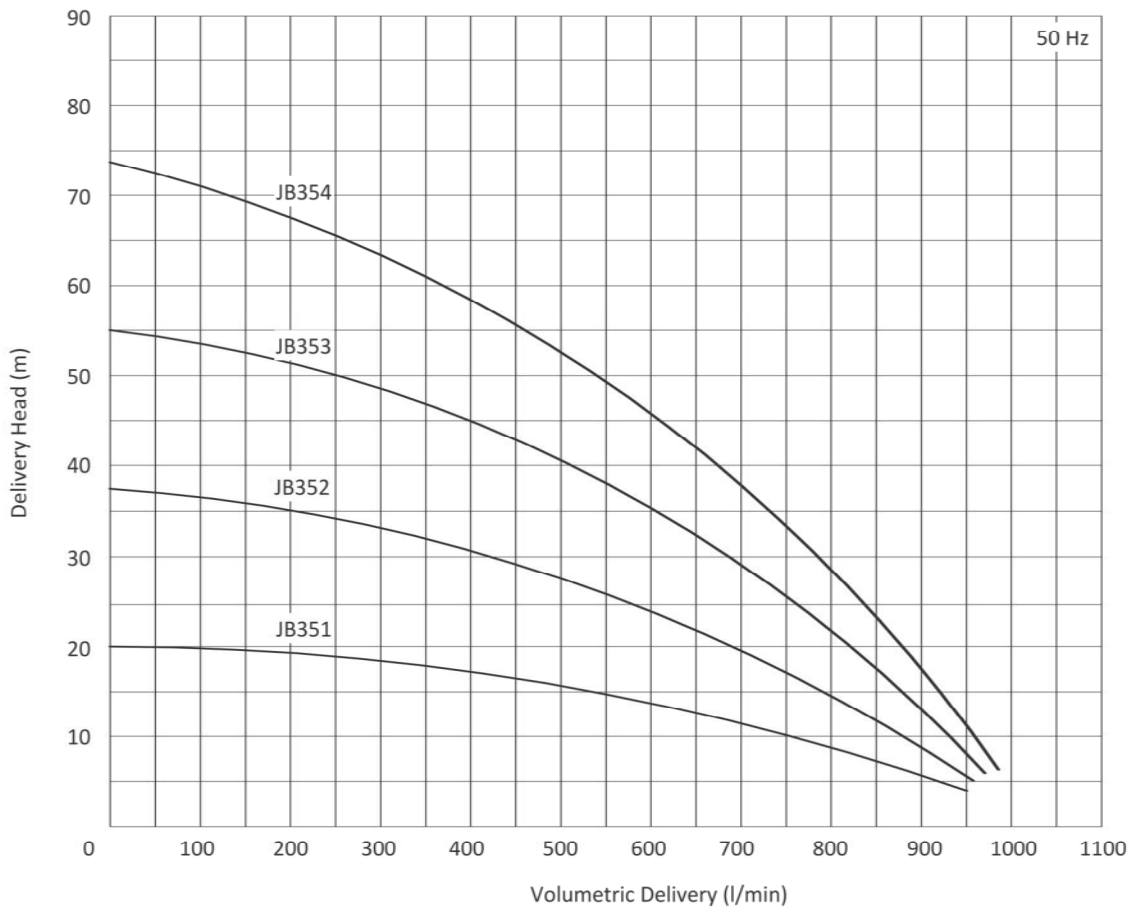


DIMENSIONS & NOMINAL VALUES

TYPE	Depth of Immersion h (mm)	mm			Weight kg	Power kW	Voltage V(Δ /Y)	Frequency Hz	Rated current A	Speed rpm
		a	b	c						
JB 351/300	300	176	299	471	43.5	2.2	230/400	50	7.79/4.5	2905
JB 351/520	520			519	50.0					
JB 351/740	740			567	56.5					
JB 352/375	375	194	338	510	58.5	4.0	230/400	50	13.68/7.9	2900
JB 352/595	595			730	65.0					
JB 352/815	815			950	71.5					
JB 353/450	450	258	438	610	93.0	7.5	400 Δ	50	14.0	2930
JB 353/670	670			830	99.5					
JB 354/525	525	258	438	610	109.0	11.0	400 Δ	50	19.7	2930
JB 354/745	745			830	115.5					

* The performance curves are based on 1 mm²/s (cSt) kinematic viscosity values and 997 kg/m³ density
 ** Curve tolerance according to ISO 9906:2012 Grade 3B.

Performance Curve





JB 420 PUMP

Applications:

- Cutting, turning, milling, boring, grinding and similar applications of the machine tools,
- Filtration systems,
- Treatment systems,
- Cooling systems,
- Circulation systems. JB Pumps are used for pumping of cutting / cooling fluids.

Fluid Specifications:

- Coolants,
- Cutting oils,
- Grinding oils,
- Water,
- Chip contains liquids (max. 10mm)
- Fluid temperature 0...80 °C
- Kinematic viscosity 1...90 mm²/s

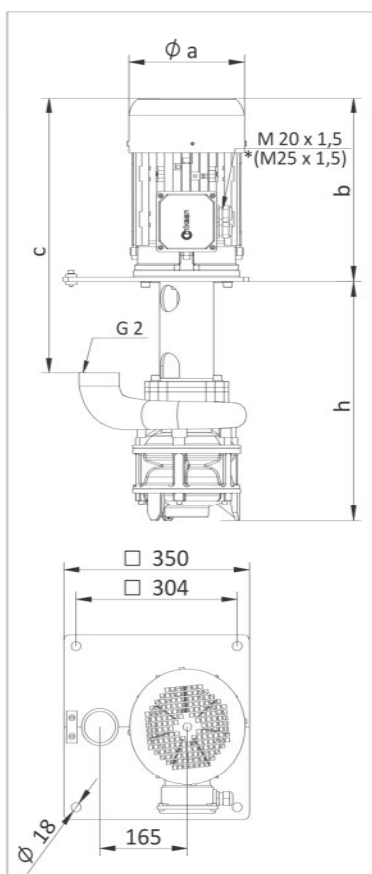
Materials:

Pump body	: Cast iron - DIN GG 25
Volute	: Cast iron - DIN GG 25
Diffusor	: Cast iron - DIN GG 25
Suction Cover	: Cast iron - DIN GG 25
Impeller	: Investment casting steel - AISI 4140 (DIN 42CrMo4)
Pump shaft	: Engineering steel - AISI 1040 (DIN C35)
Electric motor	: 3 phase induction motor IE3 - 2 pole Protection degree IP 55

* JB 420 pumps can be optionally equipped with an axial impeller.

** Please contact us for different immersion depth.

DIMENSIONS & NOMINAL VALUES



TYPE	Depth of Immersion h (mm)	mm			Weight kg	Power kW	Voltage V(Δ /Y)	Frequency Hz	Rated current A	Speed rpm
		a	b	c						
JB 421/300	300	194	338	510	49.5	3.0	230/400	50	10.39/6.0	2905
JB 421/520	520			730	56.0					
JB 421/740	740			950	62.5					
JB 422/375	375	218	353	525	62.5	5.5	230/400	50	17.15/9.9	2900
JB 422/595	595			745	69.0					
JB 423/450	450	258	438	610	93.5	7.5	400 Δ	50	14.0	2930
JB 423/670	670			830	100.0					
JB 424/525	525	258	438	610	109.5	11.0	400 Δ	50	19.7	2930
JB 424/745	745			830	116.0					

* The performance curves are based on $1 \text{ mm}^2/\text{s}$ (cSt) kinematic viscosity values and 997 kg/m^3 density
 ** Curve tolerance according to ISO 9906:2012 Grade 3B.

Performance Curve

